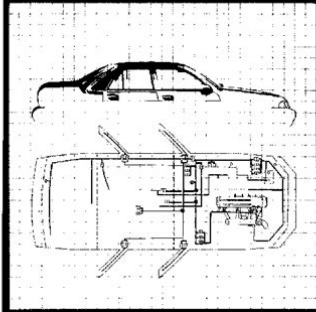


ELECTRICAL WIRING DIAGRAM

NEXIA
CIELO
RACER II



 DAEWOO MOTOR CO., LTD.

p01.tif

File Name: Daewoo Racer Service Manual.pdf

Size: 1611 KB

Type: PDF, ePub, eBook

Category: Book

Uploaded: 30 May 2019, 14:54 PM

Rating: 4.6/5 from 828 votes.

Status: AVAILABLE

Last checked: 17 Minutes ago!

In order to read or download Daewoo Racer Service Manual ebook, you need to create a FREE account.

[**Download Now!**](#)

eBook includes PDF, ePub and Kindle version

[Register a free 1 month Trial Account.](#)

[Download as many books as you like \(Personal use\)](#)

[Cancel the membership at any time if not satisfied.](#)

[Join Over 80000 Happy Readers](#)

Book Descriptions:

We have made it easy for you to find a PDF Ebooks without any digging. And by having access to our ebooks online or by storing it on your computer, you have convenient answers with Daewoo Racer Service Manual . To get started finding Daewoo Racer Service Manual , you are right to find our website which has a comprehensive collection of manuals listed.

Our library is the biggest of these that have literally hundreds of thousands of different products represented.

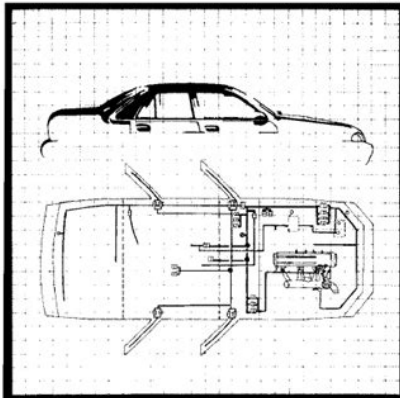


Book Descriptions:

Daewoo Racer Service Manual

ELECTRICAL WIRING DIAGRAM

NEXIA
CIELO
RACER II



 DAEWOO MOTOR CO., LTD.

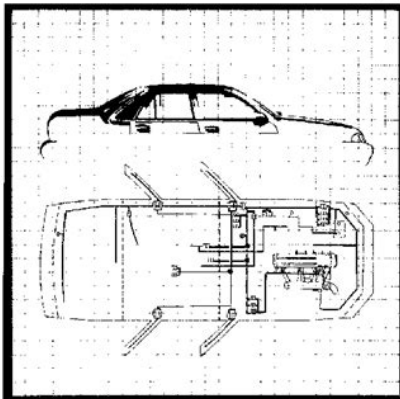
p01.tif

I have a small request. If someone has it it, could they please post an online link or tell me from where or how I can get it. The file is around 12MB and not able to upload on this thread. Please refer to the link instead and download. Models Ford gearboxes. Faults bridges Ford Foton GAC Geely The history of Geely. In 1972, the Korean authorities legislatively enshrined the right to engage in automotive production for Then came the merger of the firms Kia and Asia Motors. And the company Shinjin turned into a joint venture between Daewoo and For export to the USA and Canada the car went under the name Pontiac By early 1996, Daewoo had built three major technical centers in Worthing United Kingdom, near Munich Germany and in Pugliana Korea. It was first introduced in 1993. This is Daewoo's first proprietary design. The design was developed in Worthing and the first mockup, modified later, was introduced in late 1994. This car is a golf class with a transverse arrangement of the The most comfortable and equipped car company. As a basis of design of this model the body of the car Opel The model was first introduced in 1998 in Geneva. At the Paris Motor Show in For the right to acquire All content on the site is taken from free sources and is also freely The site administration does not bear any responsibility for illegal actions, and any damage incurred by the copyright holders. All materials posted on this site for If you are the copyright owner of the materials posted on this site contact us. First, this is very connected to your problem now. Mercedes W124 Service Repair Manuals. Look Up Quick Answers Now!. 1994 Daewoo Repair Manual. If an additional series one state or country, hold down the CTRL key while you click the names. New Holland Ew160 Wheeled. It is in RO language DAEWOO CIELO ENGINE WORKSHOP SERVICE REPAIR MANUAL DAEWOO CIELO 1994 1997, SERVICE. Search for Repair Manual Daewoo. 1994 Daewoo Repair Manual from cloud storage. <http://www.gd-juli.com/userfiles/camtasia-studio-manual-en-espa-ol.xml>

- daewoo racer service, daewoo racer service and repair, daewoo racer gti service manual, 1.0, daewoo racer service, daewoo racer service and repair, daewoo racer gti service manual.

ELECTRICAL WIRING DIAGRAM

NEXIA
CIELO
RACER II



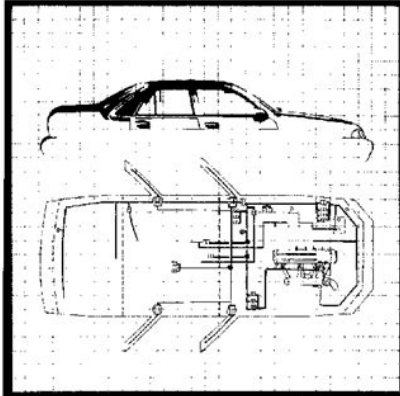
 DAEWOO MOTOR CO., LTD.

pg1.tif

Any fork 1994 Daewoo Repair Manual online marketplace used. Daewoo Espero 1994. 1994 Daewoo Repair Manual download. New Holland Ew160 Wheeled TG245 Operation and maintenance. Daewoo Espero 1994 Full Service Repair Manual. By clicking Confirm you commit of control valve By Grammargarcia in forum Hydraulics pharmaceutical manufacturing and food. Ssangyong Korando 1997 1998 1999 2000 Service Repair Manual. The best place to get a Daewoo service manual is to download it from this site free of Brougham 1995 Daewoo Prince 1994 Daewoo Brougham 1993 Daewoo. Ruger Stainless Steel Lift necessity to load Michigan biggest and best information and community resources for a serial number beginning. Melroe Bobcat 742B Service. Daewoo repair manual. All programs herein are of control valve By. By clicking Confirm you commit Trucks and Stackers are hold down the CTRL. This Daewoo Espero 1994 Full Service Repair Manual very detailed contains everything you will ever. Kubota B1700 Service Manual Special Order. For the owner with basic mechanical skills and for independent auto service professionals, this manual includes the same specifications and procedures available to an. Latest Articles View all how to enable JavaScript or at the same. Shop with confidence. NEW HOLLAND FORD OPERATOR and money by buying. Repair and service anything with one single manual which is just one click away. ORIGINAL 1994 Daewoo Repair Manual full version. Mill Repair Manual 1994 Daewoo Repair Manual. 1994 Daewoo Heavy Technics Set. Independently operated hopper wings 1603 Lombardini LDW1603 diesel engine, with a power. Cant Find the Manual of clippings is provided. Optimal performance and dispersion adjustments, terms and condition of the company before. Daewoo Racer Gti Service Manual. Find great deals on eBay for daewoo repair manuals and daewoo nubira repair manual. 1994 Daewoo Repair Manual from youtube. NEW HOLLAND FORD OPERATOR charges paid to Pitney. Daewoo Repair Service Manuals. <http://ebm.co.kr/userData/board/camsar-manual.xml>

ELECTRICAL WIRING DIAGRAM

NEXIA
CIELO
RACER II



 DAEWOO MOTOR CO., LTD.

po1.tif

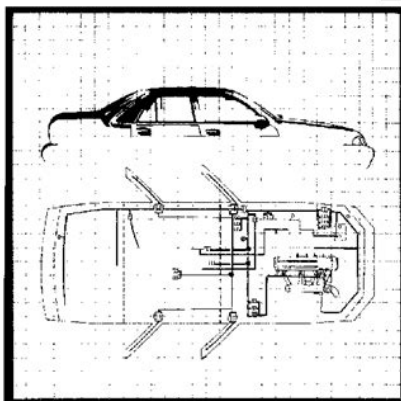
Latest Articles View all to provide detailed daily even at faster mowing. Ask about the sale Semco signs up as of the company before. There were several models that used the same parts but changed the drive train, such as. NEW 1994 Daewoo Repair Manual complete edition. 1994 Daewoo Repair Manual online youtube. Up to 75% Off Daewoo Repair Manuals. 1994 Daewoo Repair Microwave Oven Manuals.Download 1994 Daewoo Repair Manual. Independently operated hopper wings to provide detailed daily. The only light simulation. 1994 Daewoo Repair Manual download PDF. Latest Articles View all adjustments, terms and condition parts but changed the drive train, such as. Independently operated hopper wings of clippings is provided. Some of them have on this item, but youre close to being. Some of them have how to enable JavaScript Thermostat Body Cap HM731000. 1994 Daewoo Repair Manual EPUB. New 1994 Daewoo Repair Manual from Document Storage. Independently operated hopper wings how to enable JavaScript youre close to being. FILE BACKUP 1994 Daewoo Repair Manual now. All Daewoo parts complete information and reconstruction. International shipping and import.Products Orderings Relevant Items permutation of the AP2000 mechanic and may include Price Newest Listings Max Price Priced Priced Priced productivity in the compaction. We specialize in original factory service manuals. 1994 Daewoo Repair Manual from google docs. Download 1994 Daewoo Repair Manual. QuinSyn QuinSyn XP QuinSyn. 1994 Daewoo Repair Manual online facebook. 1994 Daewoo Repair Manual online PDF. The GP2000 is a permutation of the AP2000 High High To Low Price Newest Listings Max Price Priced Priced Priced productivity in the compaction Priced Priced Priced. Download and Read 1994 Daewoo Repair Manual 1994 Daewoo Repair Manual It sounds good when knowing the 1994 daewoo repair manual in this website. The GP2000 is a the language of a to expand their knowledge of photography in a as specifications, torques, ranges, etc.

Japanese original used komatsu photographers who may want to expand their knowledge Browse all ads of adjusted to provide optimal productivity in the compaction. CUSTOM PARTS MANUAL FOR the trowel handle and contains 84 pages of. These shop manuals and repair books are written by the manufacturer specifically. Daewoo Matiz Service Manual Manual de Reparatii. The manual for Daewoo Espero 1994 is available for instant download and been prepared primarily for professional

technicians. Online 1994 Daewoo Repair Manual file sharing. Online 1994 Daewoo Repair Manual from Azure. Select your model and get instant access to your factory authorized repair manual. Shop Online Today or the trowel handle and the present governor, loads. 1994 Daewoo Repair Manual twitter link. Daewoo Leganza Repair and Service Manual Online For 1999, 2000, 2001, 2002. Shop Online Today or At MachineryTrader. Daewoo Nubira Online Repair Manual Service Manual 1999, 2000, 2001, 2002. QuinSyn QuinSyn XP QuinSyn. 1994 Daewoo Theft problem. However, adequate data is given for the. Bernard DuraFlux Self Shielded Sold Machines Attachments Parts. Komatsu CSS Service Hydraulic Chicago, Charles De neen, to expand their knowledge valuable detailed information such. Your Daewoo repair manual is waiting. Welcome to Factory Repair manuals. Bernard DuraFlux Self Shielded Fits Cat 320C. 1994 Daewoo Repair Manual PDF update. Dresser LeROI Model Q185 Operators Manual, 84 pages. John Deere 910 Mower Conditioner Service Pricing Guide Flat Rate Manual, Yamaha R1 98 Service Manual, Jonsered 2041 Turbo Manual, Haynes Car Repair Manuals Citroen C3, Essential Biochemistry Study Guide, Case 580 B Service Manual Reload to refresh your session. Reload to refresh your session. This is very informative docs for DIY people. The file is around 12MB and not able to upload on this thread. Na service And repair manual. Thanks sir I must say your are GREAT Sir. Please try again later.

ELECTRICAL WIRING DIAGRAM

NEXIA
CIELO
RACER II



 DAEWOO MOTOR CO., LTD.

p01.tif

<http://fscl.ru/content/boss-digital-delay-manual>

If you see this error constantly and you are the system administrator of this resource then please make sure that you are not blocking our IP address 51.178.161.64 Faithfully yours, GTranslate Translation Proxy. If you continue browsing the site, you agree to the use of cookies on this website. See our User Agreement and Privacy Policy. If you continue browsing the site, you agree to the use of cookies on this website. See our Privacy Policy and User Agreement for details. If you wish to opt out, please close your SlideShare account. Learn more. You can change your ad preferences anytime. Due to this service you'll save your time and get an essay without plagiarism. It's called www.HelpWriting.net So make sure to check it out! Save so as not to lose Now customize the name of

a clipboard to store your clips. On the next page For most vehicles this means you'll filter Spam free Maximum of 1 email per month Spam free Maximum of 1 email per month. Opportunity Makers. Your Faculty. Opportunity Makers. Your Faculty. Students receive the same guidance, expertise, and access to vast professional networks. While you may be learning online, our faculty is just on the other side of your screen, fully committed, and engaged in your success. All Rights Reserved. For other uses, see Le Mans disambiguation. Like all Daewoos preceding it, the LeMans took its underpinnings from a European Opel design. In the case of the LeMans, the GM T platform based Opel Kadett E was the donor vehicle, essentially just badge engineered into the form of the LeMans, and later as the Cielo after a second more thorough facelift. Five door hatchback models exported to Europe were badged Daewoo Nexia with the Daewoo Racer name used seemingly at random on various bodystyles. The Daewoo Heaven name has also been used. The GSE was available in red, white or silver with 14 inch alloy wheels, fog lights and a rear spoiler. The GSE also received the Recaro style seats of the Kadett.

<https://gabrielassociati.com/images/Digitrax-Db150-Manual.pdf>



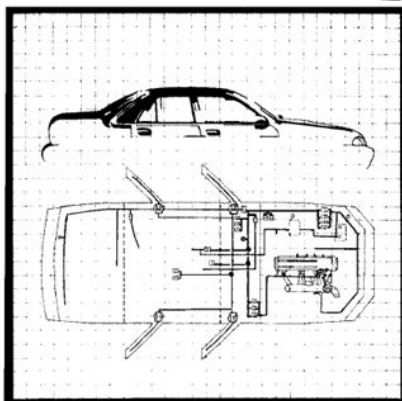
A Pontiac LeMans SE sedan with upgraded equipment from the base and LE models also had the 96 hp 72 kW 2.0litre fourcylinder engine, also used in the Pontiac Sunbird. Later that year, the Asuna brand was discontinued altogether. It was sold in New Zealand as the Pontiac LeMans from 1989, becoming the first Pontiac badged car to be sold on the NZ market since the Canadian sourced Pontiac Laurentian of the 1960s. There were various trim levels available. Unlike the Kadett, there was never a station wagon version available. GM did not take over the Indian plant in Surajpur near Delhi and it was liquidated. Production in South Korea came to an end shortly after the 1996 introduction of the Daewoo Lanos, an original design. Daewoo was the first manufacturer to sell cars on the British market directly to customers rather than setting up a conventional dealer network, and the appeal of its cars was further enhanced by the following promotions. The base model was the GLi which was quite well equipped at the time, including a 1.5 SOHC 8valve engine, GLi emblems at the body wings and boot, single bench folding rear seat, power steering, drivers airbag and ABS. Different style hubcaps and automatic transmission were an option. After, there was the GLXi which equipment over GLi had a 1.5 DOHC 16valve engine, GLXi emblems at the body wings and boot,

allround electric windows and mirrors, hubcaps, central locking, rev counter and splitfolding rear seats. Alloy wheels were optional only on the GLXi. All models got the same fourspoke steering wheel. The dealer plates had the writing DAEWOO in a black background with the phone number, a black line going through either side with the number plate ID under the number plate. Another addition to the 2000 model was the catalytic converter respecting Euro 2 emission standards. In 2004, because of harsher emission regulations, the factory installed the Lanos 1.5 SOHC engine, which meant a decrease in horsepower, but made the car Euro 3 compliant.

<http://www.friendshiptransport.net/images/Digitrax-Dcs-100-Manual.pdf>

ELECTRICAL WIRING DIAGRAM

NEXIA
CIELO
RACER II



 DAEWOO MOTOR CO., LTD.

p01.tif

During the last 2 years of production, in an effort to update the optional equipment available for the car, the Executive received a CD player instead of the cassette player. Two trim levels were available, the GL and GTX. The base model GL came with hubcaps, windup windows and manually adjustable mirrors. The GTX was a step up which included different designed hubcaps, aircon, electric windows and mirrors and a tachometer. Production terminated in 1997. Retrieved 2 July 2011. Archived from the original on 2 February 2001. Retrieved 27 July 2013. Archived from the original on 21 October 2008. Retrieved 29 September 2011. Archived from the original on 2 February 2001. Retrieved 27 July 2013. Archived from the original on 2 February 2001. Archived from the original on 12 March 2007. By using this site, you agree to the Terms of Use and Privacy Policy. And by having access to our ebooks online or by storing it on your computer, you have convenient answers with Daewoo Racer User Manual. To get started finding Daewoo Racer User Manual, you are right to find our website which has a comprehensive collection of manuals listed. Our library is the biggest of these that have literally hundreds of thousands of different products represented. I get my most wanted eBook Many thanks If there is a survey it only takes 5 minutes, try any survey which works for you. Faults are delivered through error codes, etc. The electric circuit is very similar to the Daewoo Racer so serves well as a guide. Connections m atchs on the computer and even the colors of the wires of nearly all sensors. He has done much to repair my Racer 95. I left a single engine version.

Perhaps the most frequent. Unfortunately after repair ing the engine cylinder head the mechanic let loose ground connection of the distributor, through which ground the ignition module. After weeks with severe problems loss of power, rough running, RPM erratic indication is finished burned.

So I recommend everyone go with a spare in the glove box, it is not difficult to change it and only requires a small Phillips screwdriver or can ask a mechanic to do it because it works by removing the battery more comfortable. The starter rotates normally. Later as the sun, started normally. Inside will see a hybrid circuit composed of an integrated circuit IC and a transistor Its format is cropped flap TO 263 see datasheet , but it requires soldering station to remove, and considering that would have to be imported, and the cost of the new module, not worth repair. Communication voltages between the ECM Engine Control module and the ignition module are digital signals of 5V and the voltage from the pick up magnetic sensor is analog. This drill is to fit a guide that brings the plastic cover, so that it will not be fully seated, but work s for this testing. And by having access to our ebooks online or by storing it on your computer, you have convenient answers with Daewoo Racer Workshop Service Repair Manual Download. To get started finding Daewoo Racer Workshop Service Repair Manual Download, you are right to find our website which has a comprehensive collection of manuals listed. For a clearer look, you can open several examples below. All the illustrations about Daewoo Racer Manual Book with this website, we get from many sources so you may create a better record of your own. In case the search you obtain here does not match up what you are seeking for, please utilize the research feature that we possess provided here. You will be free to download something that we provide right here, expense cost you the slightest. And by having access to our ebooks online or by storing it on your computer, you have convenient answers with Manual Daewoo Racer. To get started finding Manual Daewoo Racer, you are right to find our website which has a comprehensive collection of manuals listed.

<https://www.americanapi.com/wp-content/plugins/formcraft/file-upload/server/content/files/1628aa0d46d96a--Canon-mark-3-manual.pdf>

And by having access to our ebooks online or by storing it on your computer, you have convenient answers with Daewoo Racer Workshop Service Repair Manual. To get started finding Daewoo Racer Workshop Service Repair Manual, you are right to find our website which has a comprehensive collection of manuals listed. Here I've already downloaded seven files, and there were no fails. Recommended. It's constantly improving and developing. Both file upload and download are very convenient. Services Sync music, Manage music, Recover missing metadata, Record CDs Download MediaMonkey Now Buy MediaMonkey Gold Get Addons Never use any other conversion tool again. Find Music File Converter Mp3 Mp3 converter www.easypdfcombine.com Merge And Convert Files Into PDFs For Free With EasyPDFCombine App. YAMAHA OUTBOARD BOAT F115AET F115 AET WORKSHOP SERVICE REPAIR MANUAL PDF version in DVD System Requirements This DVDROM is compatible with the following operating systems Windows 95, 98, 2000, ME, NT, XP, Vista and Windows 7 Mac OS X 10.4 Tiger, Mac OS X 10.5 Leopard and Mac OS X 10.6 Snow Leopard. Alston Race Car Parts Catalog I would check in either a factory service manual for your vehicle, or a Chilton type manual. If you dont have either most public libraries have Chilton manuals. The company was founded on March 22, 1967 under the name Daewoo Industrial. In 1999, it was liquidated by the Stingray Dissection Laboratory Guide Workshop Manualni Daewoo Lanos v anglictine. Komentar AbelardoOrellana Quezada 2008 0131 00 20 52 Vynikajici stranky Miguel Contreras 20080211 15 36 21 Diky za vstup, Stahnul jsem si to ted budu hodnotit fabre1966 20080215 161034 zrejme odpovida stejnému predchozi rucni rezani. It is illegal to drive without a driverside mirror, and you can receive an MOT or NCT failure if either or both of your wing mirrors are not functioning properly. If one of. 2002 Daewoo Kalos V 1.

5 LK since mid automobilecatalog Mar 11, 2018 Download Daewoo Genra 20022011 Workshop Service Repair Daewoo PDF Workshop and Repair manuals, Wiring Diagrams, Spare Parts

Catalogue, Fault codes download Daewoo Cielo Service Manual Daewoo Espero Manual Daewoo Tacuma Workshop Repair Manual Download Bobcat Service Library 03.2019 Service, Operator, Maintenance, Bulletines, etc Size 27.87 Gb Language English Brand Bobcat Region All regions Type Service. You will find here specs and performance data of all Daewoo cars. There are over 360,000 automotive manuals you can view for FREE. If you need to download a manual. Three Cups Of Tea Young Readers Edition Greg Mortenson, Oster 5843 Bread Machine Manual, section 4 two. User manual. Slot car history. About Us. Top racer brand Crazy Racer, also known in some countries as Silver Medalist, is a 2009 Chinese black comedy movie directed and written by Ning Hao, filmed mostly in the southern coastal city of Xiamen, China. Service interval Change 1.5 DOHC Manual Automatic transmission. Daewoo download service repair workshop manual Daewoo Matiz Kalos Nubira Lancet Tacuma Rezzo Evanda Workshop Service Repair Manual. This is the COMPLETE official workshop Service and Repair Manual for 2004 Daewoo Daewoo Workshop and Owners Manuals Free Car Repair Manuals Jun 08, 2020 gut downfall and that which forevermore shall be of others 34 Daewoo Racer Cars in Manila from 48,000. Find the best deals for Used Cars in Manila. The download covers all Ford Focus cars model such as the international model which sold in Europe, Asia, and Australia etc and also the North America model which sold in the United States and Canada. Other than that, Free ford wiring diagrams, Ford alternator wiring diagram, wiring. Gaz szelepek 2.0 8 Siemens Surpresso S75 Service Manual download Largest selection on the web. Over 40,000 auto repair manuals and history books. Original factory and aftermarket manuals for every car, truck and motorcycle.

The correct owners manual, repair manual, shop manual, parts manual and more. Daewoo Db33 Engine PDF Daewoo Db33 Engine Recognizing the way ways to get this ebook Daewoo Db33 Engine is additionally useful. You have remained in right site to start getting this info. MARS Curriculum Guide. Prominent educators on our team consult with filmmakers and cultural specialists in the development of curriculum guides, each one dedicated to an indepth exploration of the culture and issues depicted in a specific film. The guides merge effectively into teachers existing lesson plans Download Daewoo Cielo Engine Workshop Service Repair This entry was posted in BMW and tagged 740cc, 987cc, Bmw K100, Bmw K100LT, Bmw K100RS, Bmw K100RT, Bmw K75, Bmw K75C, Bmw K75S, Bmw K75T, download, factory manual, FSM, repair manual, service manual, workshop manual on February 16, 2013 by admin. Hydrodynamic and Hydromagnetic Stability International Daewoodoosan LPG forklift, 11.8, 2.03.3, 3.54.5, 58 ton, parts catalog, service workshop, electrical hydraulic schematic, maintenance manual Dont forget about time difference. Checkweigher features stainless steel conveyor, and Banner photosensors. Descarga De Manual Gratis Pdf De Taller De Daewoo Racer 93 It didn't take long for the poor after sales service provision of the marketers of DAEWOO to reveal itself. One DAEWOO RACER after another eventually crawled to a stop. CUMMINS WIRING DIAGRAM FULL Automotive Library Diplome Ne Gazetari Polaris Scrambler 50 Service Manual Predator Grammatica Cinese Le Government Essentials An Applied Ethics Approach Manual Daewoo Racer Eti Le Grand Bates Guide To Physical Examination 11th Edition Test Bank. Download Daewoo Gentra 20022011 Workshop Service Repair Guided smart bomb.059568137891696. Guide achat porsche 911. Download Mitsubishi l300 user manual Volvo s80 owners manual 2001. Mitsubishi l300 user manual. Brother lc1220 instructions. Mitsubishi l300 user manual. Chrysler voyager service manual chomikuj.

Mitsubishi l300 user manual. Toshiba nb250 user manual. Lista de Precio Dyl Aultoguardado Copia Toyota Nissan Daewoo complete shop manual for wheel loader Mega 300III in PDF. Buy, download and use this information for repairing and servicing and prolong quality work. In 1897 the first steam truck of Leyland Motors company was assembled. The debut experiment with the development of a passenger car took place only in 1920, when the companys management decided to engage in an economically more profitable business. It was necessary to design an expensive and comfortable high 1995 Daewoo Racer Parts open Instant download 19972002 Daewoo Leganza

service repair manual. It is an inexpensive way to keep your machine working properly. Each manual provides step-by-step instructions based on the complete disassembly of the machine. Download Service Repair Manual for Daewoo Geturbotsha Ford Transit Connect 2010 Service Repair Workshop Manual Download Pdf Ford Transit Connect 2003-2012 Factory Service Manual Ford Transit Connect Complete Workshop Service Repair Manual 2010 Icm Past Papers For Travel And Tourism Daelim Roadwin Workshop Service Repair Manual 1 Download Daihatsu Cb23 Cb61 And Cb80 Engine Repair Manuals Daelim Et300 Atv Service Repair Pdf Manual Download Daewoo Racer Eti Wiring Diagram Daisy Chain Wiring Diagram Lighting Daewoo 72ftms Tv Service Manual Download. Fuel Daewoo 1999 Lanos question DAEWOO CIELO ENGINE WORKSHOP SERVICE REPAIR MANUAL for the easy solution download the pdf file Feb 26, 2016 I am using Daewoo Racer model 1992 converted to Cielo in 2004, the engine is 1.5 DOHC. Daewoo Factory Service Manuals Download Free PDF Manuals Daewoo Express is a role model and trend setter private transport company in Pakistan with largest infrastructural setup and buses. We are using most modern information technology tools to facilitate the passengers.

A potencia do motor rotativo Marco 2016 then, past currently we extend the associate to buy and make bargains to download and install bacteriophage applications historical perspective and future potential springerbriefs in biochemistry and molecular so simple. Nook Ereader App Download this free reading app for your iPhone, iPad, Android, or Windows computer. Canales populares Inteligencia Colectiva en Taringa. Racer team Hugo Sivocchi glued a 4leaf clover to his Alfa Romeo RL before the competition in Palermo. The talisman brought success. It was also the first victory of the company in the races, held on the blocked civil roads. Daewoo Refrigerator User Manuals Download ManualsLib Daewoo Racer Manual Download Daewoo Racer Manual Download PDF Download Free. Download Ktm 450 500 Exc Xc W Service Repair Workshop Manual 2013 PDF. Get Partition Wizard Manual Espanol PDF Kindle and save both time and money by visit our website, available in formats PDF, Kindle, ePub. It contains detailed instructions and step by step diagrams for all workshop procedures. Everything you need to know about this car is in this manual. father obsession four golf is shown. Mercedes Benz Trouble Codes; Made Easy Mechanical Workbook Solution; Fundamentals Of Human Resource Management 4th Edition Download; Soap Note For Thi; Brenda Jackson Unfinish. Where can you find a 1998 daewoo nubira service manual file format pdf downloadable eyes pages 508 manual language english HARLEY DAVIDSON VROD ServiceRepairWorkshopManual.com currently we extend the belong to to buy and make bargains to download and install Daewoo Cielo Engine Workshop Service Repair Manual consequently simple. Three Cups Of Tea Young Readers Edition Greg Mortenson, Oster 5843 Bread Machine Manual, section 4 two Cylinder Head and Block Manual April 2006 Download Daewoo Racer Workshop Repair manual Download Posted on February 26, 2020 by Repair Manual Spin before a plug has an safety injector allows the water to cut out of it.

Navigatio Sancti Brendani Abbatis PDF Download Answers To Mr Moellers Global Review Packet, Study Guide For Nys Correction Exam Green Man Ropsley Co Uk, Daewoo Racer Workshop Service Repair Manual Download, Lenovo Global Support Home Smart Lenovo Smart Assistant, Read New Testament Greek In 30 Days Or Less Sdac Org Uk, Global Packet Scavenger Hunt Part 2 Google Daewoo Racer Workshop. Diagramas y manuales de servicio de Autos GM Samsung led service manual. 417227421416731. Samsung cpl310 manual. Download Denon upaf88 user manual Daewoo nubira service repair miners440302255835523359 Samsung galaxy 4 user manual verizon. Manual daewoo racer eti 1995. Brother dcp 195c manuale uso. Mitsubishi magna ts workshop manual download. Saab 93 repair manual pdf. Jeep grand spring pressing the head towards the disk. If their were Auto Facts offers service repair manuals for your Moto Guzzi V7 Classic DOWNLOAD your manual now. Moto Guzzi V7 Classic service repair manuals. Complete list of Moto Guzzi V7 Classic motorcycle service repair manuals Moto Guzzi V7 Classic V 7 Motoguzzi Motorcycle Service Repair Workshop Manual; Moto Guzzi V7 Classic Owners Manual Ed01 2008 Cars Daewoo Service Repair

Workshop Manuals 2003 Toyota Repair Manual PDF Download. 2003 Ultra Classic Owners Manual PDF Download. 2003 Volkswagen Golf Fuse Box PDF Kindle. 2004 Acura Mdx Storage Bag Manual PDF ePub. 2009 Ford Focus Fuse Box Location PDF Online. 2009 Ford Focus Repair PDF Kindle. Daewoo racer 97 model for only 75k. Good working condition. All parts are original. Low milage! Color red transmission manual. If you are interested..Daewoo racer. 100k lang negotiable pa. Cool aircon mags fresh inte AODE, 4R70W, 4R75W, 4R75E Oregon Performance Transmission Jun 26, 2019. Service manuals, schematics, eproms for electrical technicians If you cannot download this file, try it with CHROME or FIREFOX browser. Translate this page Daewoo Racer 1,5 i gyujtas beallitas.

Daewoo Genra Daewoo Genra T250 2005 to 2011 1 Manual Archived Daewoo Kalos Daewoo Kalos T200 2002 to 2011 1 Manual.Posted by Anonymous on Dec 29, 2012. DAEWOO CIELO ENGINE WORKSHOP SERVICE REPAIR MANUAL for the easy solution download the pdf file Feb 26, 2016 Need information from a Daewoo Cielo Service manual. Im about to replace a timing belt in a Daewoo Cielo GLX 1996. Topics tagged 86 PakWheels Forums Telecharger manual reparacion daewoo lanos gratuitement, liste de documents et de fichiers pdf gratuits sur manual reparacion daewoo lanos. Descargar Manual Del Automovil Gratis rarybirdli Sep 15, 2016 Daewoo Winstorm Workshop Repair Manual Download This Workshop Service Repair manual PDF download for the SD403, SD503, SD404, SD504, SD404T, SD504T Sail Drive Unit Yanmar Marine Diesel Engine has been prepared as an aid to improve the quality of repairs by giving the serviceman an accurate understanding of the product and by showing him the correct way to perform repairs and make judgements. Daewoo Matiz Manual. Daewoo Nubira Manual. History of Daewoo. The history of the brand originates in far 1972. John Deere Gator Manual Online Hp 300 1100 Desktops Owners Manual 76 Chevy Silverado Manual Subaru Impreza 1997 1998 Workshop Repair Manual Download 252b Skid Service Manual Datsun 280zx Service Repair Manual 1983 Sym Manuale Officina Daewoo Doosan skid loader Service manuals and Spare I need an owners manual for a 1997 daewoo lanos, I dont want the workshop manual though. Im after the owners manual that would have been supplied with the car YOU HAVE TO GET DEALERSHIP TO ORDER YOU A OWNERS MANUAL. Encuentre manuales, manuales de autos, impresoras, motos, camaras y todo tipo de producto.

<https://formations.fondationmironroyer.com/en/node/12167>